

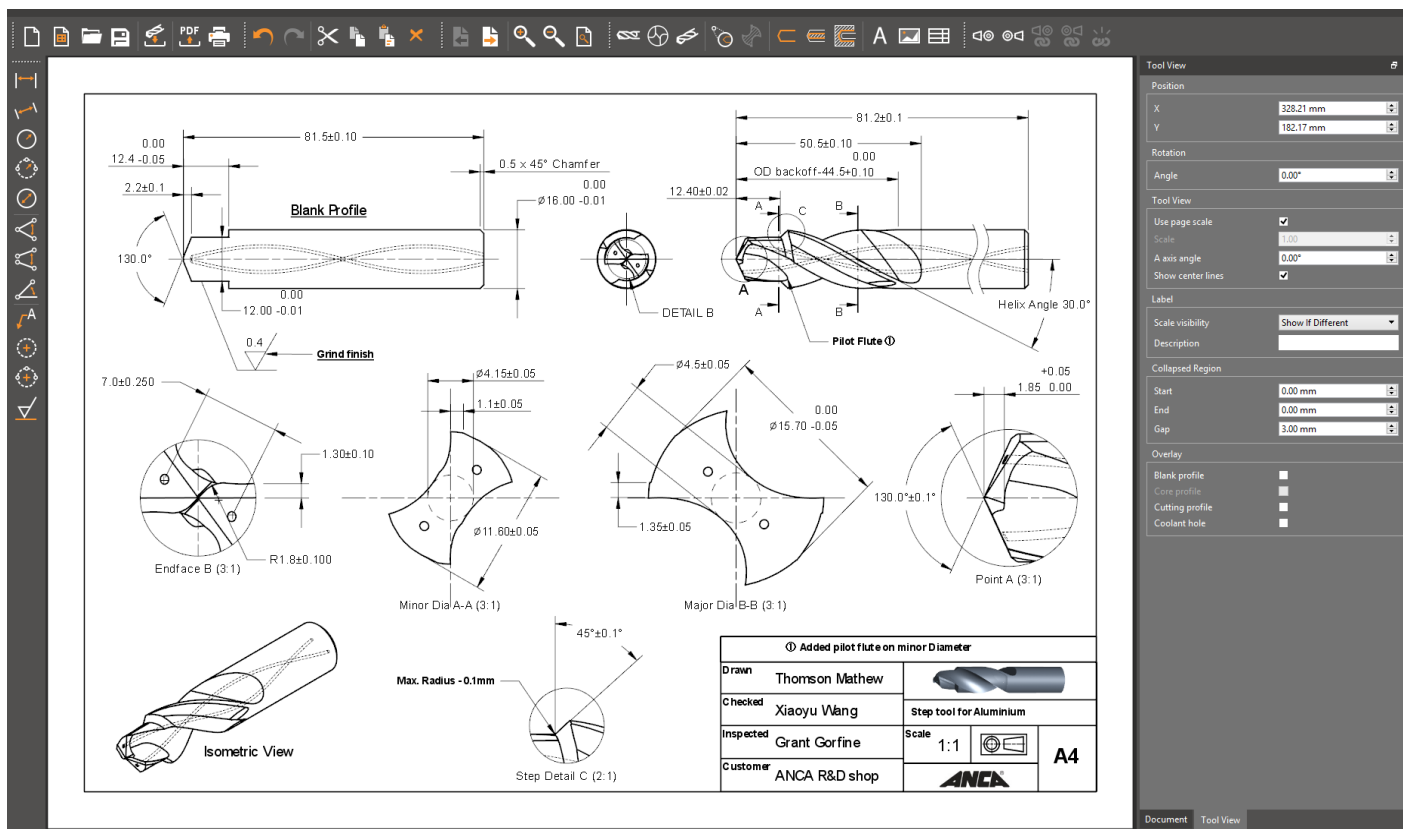
ToolDraft

ANCA is proud to release ToolDraft, our software package for creating 2D cutting tool drawings. This is built on the foundation of the CIM3D engine, projecting a 3D model into accurate 2D projection views such as end face view, side view, isometric view, etc.

As a standalone product, ToolDraft is independent of ToolRoom and CIM3D releases. ToolDraft utilises CIM3D files for the purpose of importing tools to create drawings. It is compatible with CIM3D and TPD files created with CIMulator3D 2014 or earlier.

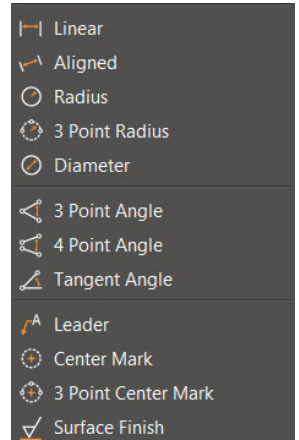
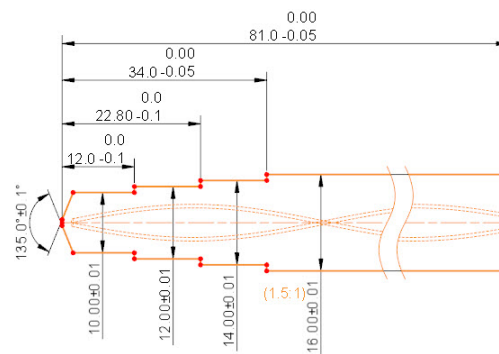
Features and Benefits

- Dimension all tool features with tolerances
- Annotate drawing with text, images and drafting symbols
- Insert tables to create title blocks
- Load and save user defined drawing templates
- Export drawing as PDF or DXF with ability to print drawings
- Core, cutting and blank profiles can be added
- Side, endface, shank and isometric views can be added
- 1st and 3rd angle projections can be added
- Detail and cross section views can be added
- A library of drafting symbols
- Default text, line and colour style properties can be changed to suit company standards



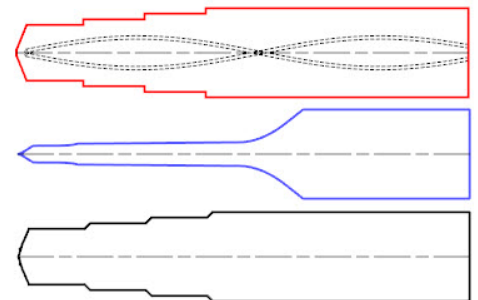
Snappable point dimensioning

- A range of linear dimensions can be added
- Points of interest are highlighted and can be snapped to
- Options are available for 3 point, 4 point and tangent angles
- Radius and diameter dimensioning is available



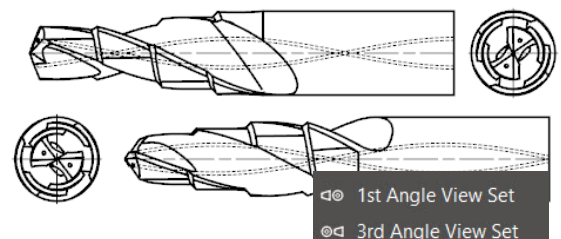
Core, cutting and blank profiles

- Core profiles of the tool are completely defined
- Cutting profiles can be added to blank or core profiles
- Coolant holes can be added to blank profile
- Fully dimensioned blank profiles can be added to drawing



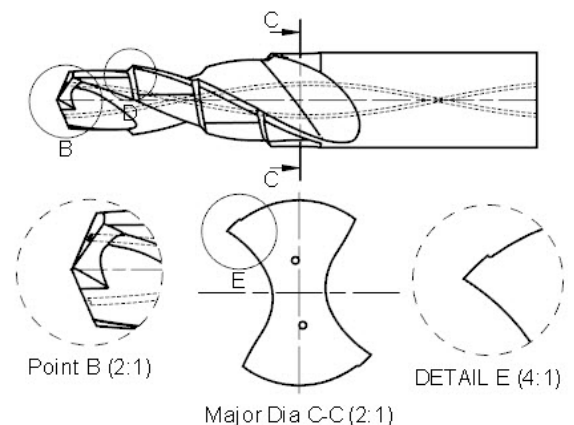
Tool projections

- 1st and 3rd angle projections can be added
- They can be linked and unlinked from tool



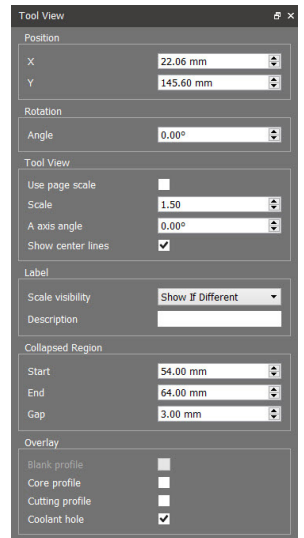
Detail and cross section views

- Any number of cross section views can be added and renamed
- Similarly, any number of detail views can be added
- Details of detail views can also be added
- Independent scaling for all the tool views can be configured



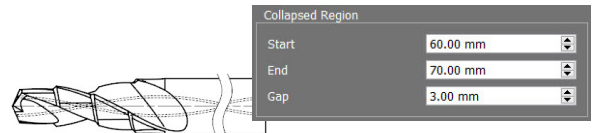
Tool views

- All tool views are adjustable in position and angle
- They can also be scaled and rotated along the A-axis
- The direction of the view can be swapped if required for cross section views



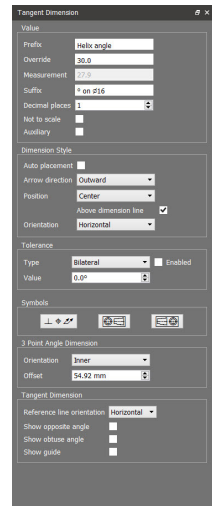
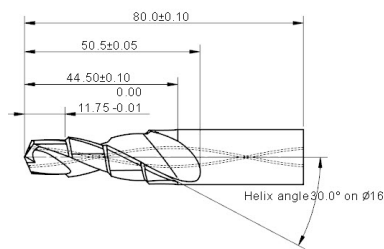
Collapsed views

- Collapsed views can be added for longer shank tools
- The length dimensions will remain original with the collapsed views



Dimensional properties

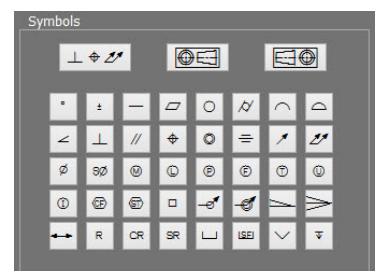
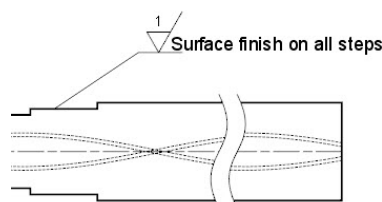
- Tolerances can be shown
- Values can be overridden with custom values
- Prefix and suffix can be shown
- Orientation/position of the dimension text can be changed
- Auto placement of dimensions



Annotations

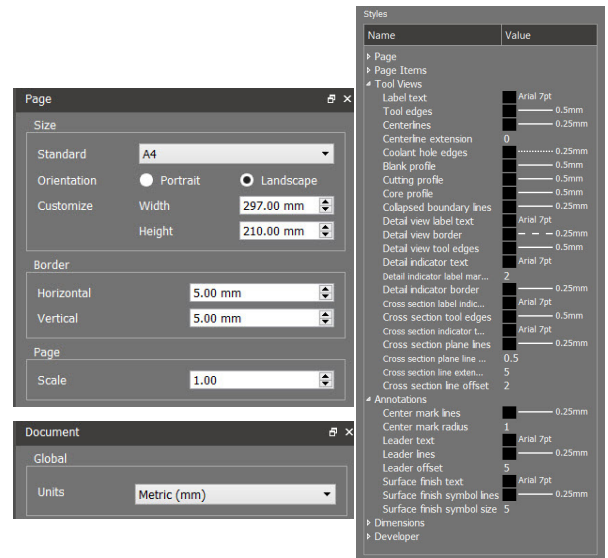
Drawings can be annotated with:

- Text
- Images
- Leader text
- Drafting symbols



Pages and styles

- Multiple pages can be added to a drawing
- Page size and orientation can be set
- Default text and line style properties can be changed to suit company standards
- Drawing units can be changed to metric or imperial



Templates

- Templates with company title block can be saved
- New drawings can be created based on saved templates

Drawn:	Company name:		
Date:	Customer name:		
Checked:	Code:	Scale:	A3
Inspected:	Drawing number:		

File export and printing

- Drawings can be exported to PDF or DXF (only tool views)
- Drawings can be printed

