

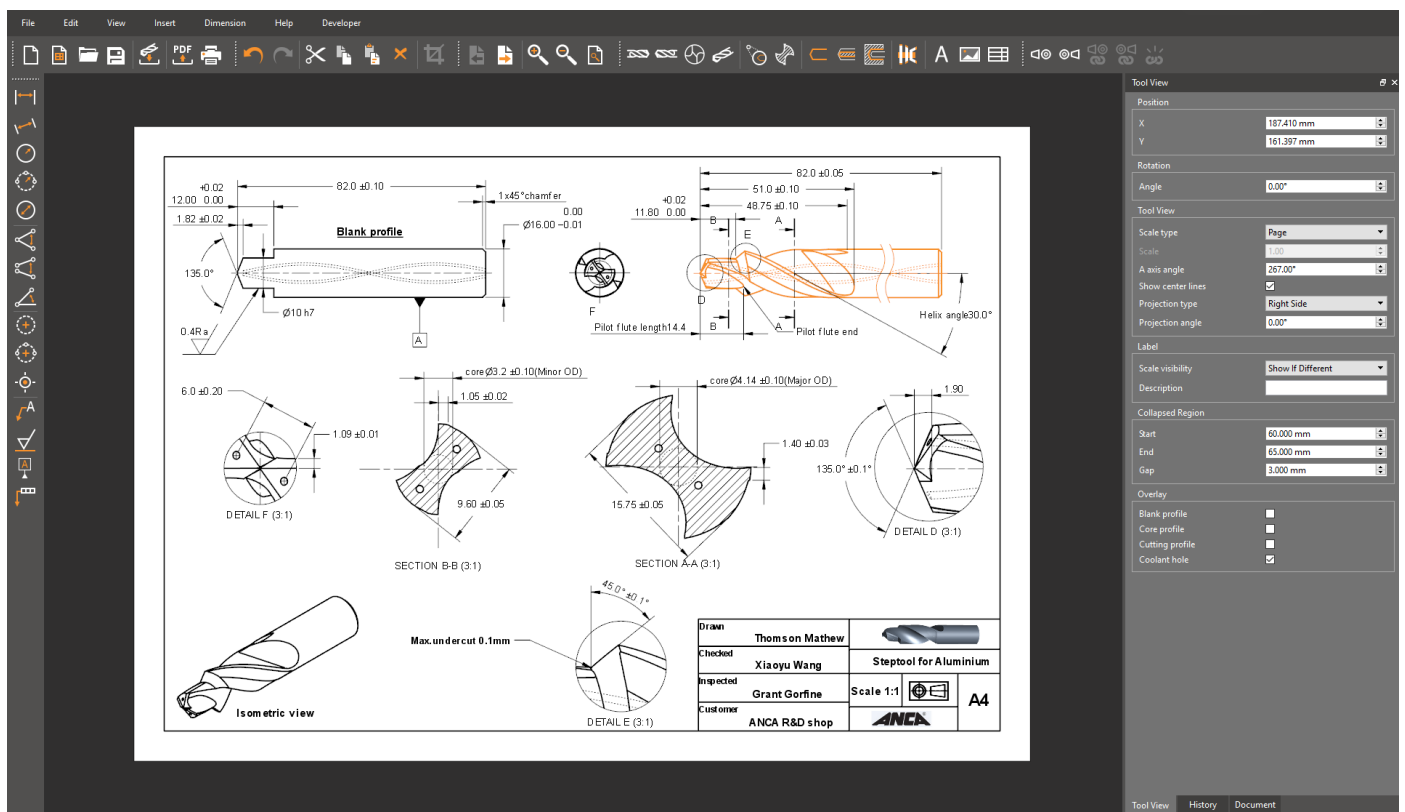
ToolDraft

ANCA is proud to release ToolDraft, our software package for creating 2D cutting tool and wheel drawings. This is built on the foundation of the CIM3D engine, projecting a 3D model into accurate 2D projection views such as end face view, side view, isometric view, etc.

As a standalone product, ToolDraft is independent of ToolRoom and CIM3D releases. ToolDraft utilises CIM3D files for the purpose of importing tools to create drawings. It is compatible with CIM3D and TPD files created with CIMulator3D 2014 or earlier.

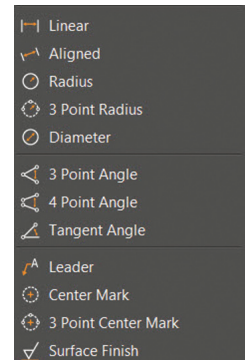
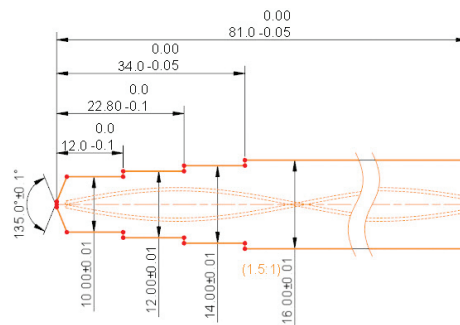
Features and Benefits

- Dimension all tool features with tolerances
- Annotate drawing with text, images and drafting symbols
- Insert tables to create title blocks
- Load and save user defined drawing templates
- Export drawing as PDF or DXF with ability to print drawings
- Core, cutting and blank profiles
- Side, endface, shank and isometric views
- 1st and 3rd angle projections
- Detail and cross section views
- A library of drafting symbols
- Default text, line and colour style properties can be changed to suit company standards
- Projection type and angle
- Wheel and wheel packs views



1. Snappable point dimensioning

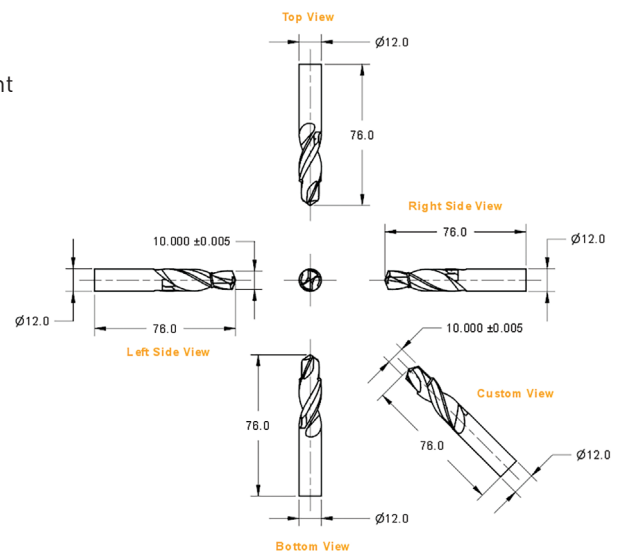
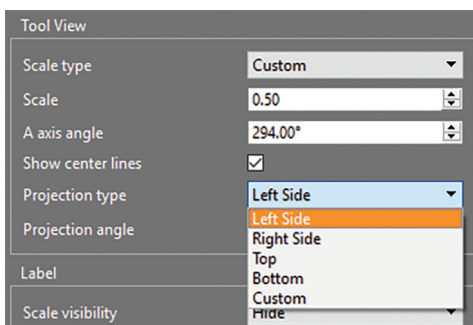
- Points of interest are highlighted and snappable



2. Projection Type and Projection Angle

This feature allows tool views to be created and dimensioned at different projection angles.

The options are left, right, top, bottom and a customized view with user specified projection angle.



3. Wheel and Wheel Pack Views

This feature allows a drawing to include and dimensioned wheels and wheel packs. Some of the functions are:

- Access to all wheel packs in a cell
- Active wheel packs appear on top of the list
- Access to all items in a pack
- Ability to display left, right, top and bottom views of a wheel or wheel pack
- Supports detail views and cropping out regions of wheel and wheel pack
- Supports slice or full section depth

